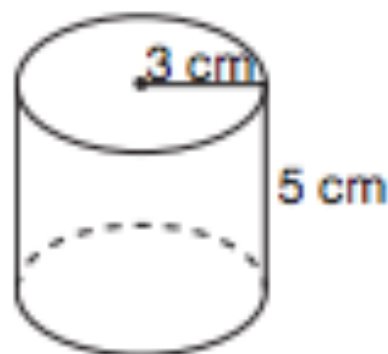
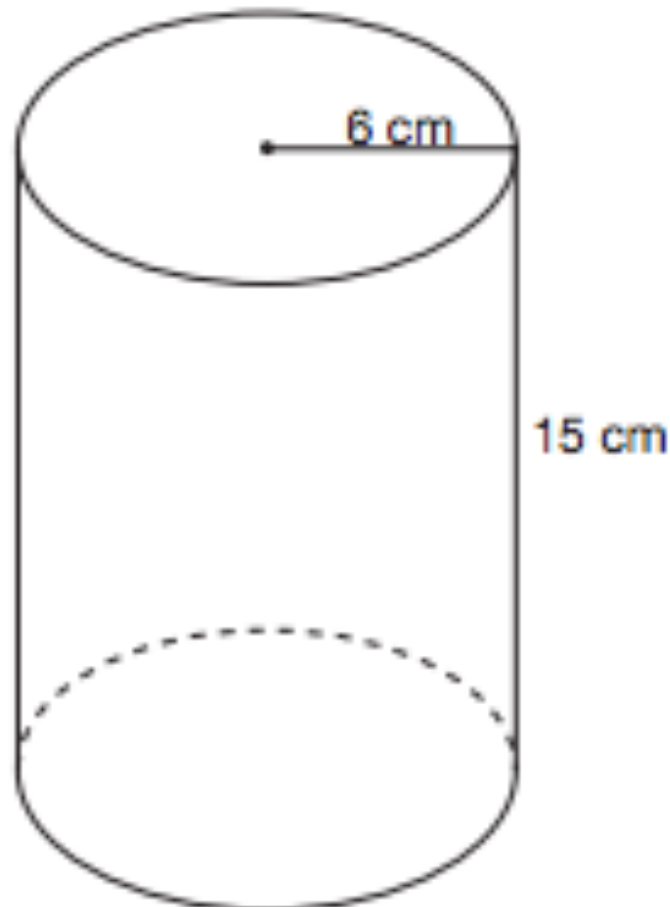


- 27** Two different cylindrical containers are shown below.

**Container 1**



**Container 2**



When the containers are full of milk, what is the ratio of the amount in Container 1 to the amount in Container 2?

- a 1:2
- b 1:3
- c 1:6
- d 1:12